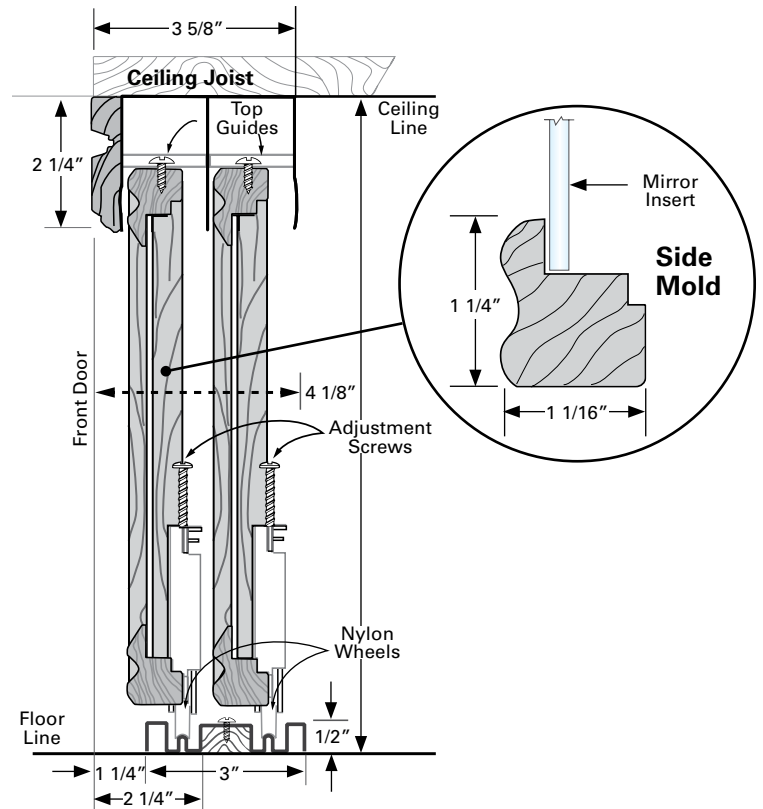


# California Oak™



Pictured in a Red Mahogany Stain finish with Duralect® copper-free mirror



**Technical Illustration**

**Finishes:**

- Clear Acrylic Sealer, Dark Stain, Light Stain, Medium Stain, Red Mahogany Stain, Whitewash Stain and Unfinished (not warranted against warpage)

**Insert Type:**

- 3mm Duralect® copper-free mirror
  - » Elimination of copper dramatically improves quality and life expectancy
  - » This creates a durable, superior grade mirror with exceptional quality

**Frame Type:**

- 1 1/4" wide solid oak hardwood (milled from 5/4" oak) frame molding
- Frame molding stained and finished using 5 stage process

**Track and Channel:**

- Steel track and channel
- Bottom rolled with jump-proof track
- Top channel and bottom track with finish to match
- Injection molded top guides for smooth operation
- Pre-attached matching fascia conceals top channel

**Product Details:**

- 1 1/2" diameter wheels with hardened steel races and 5/32" ball bearings in extra-heavy 18 gauge steel housing
- Mitered corners
- All corners glued and secured by two tapered corner fasteners
- Duralect® copper-free mirror panel has 400lb category II safety backing

**Sizes:**

- Standard sizes
  - » Width: 48", 60", 72", 84", 96", 108", 120", 144", 168" and 192"
  - » Height: 81" and 96"
- Custom sizes
  - » Maximum individual panel width is 48"
  - » Maximum opening height is 96"
- Adjustment range for opening height is up or down 1/2"

**Optional Upgrades:**

- Decorative back painted glass inserts
- Decorative mirror inserts
- Decorative wood grain inserts
- Face beveling design (v-groove)

